

EFFECT OF EXTRUSION PROCESSING CONDITIONS OF A LOCALLY DEVELOPED EXTRUDER ON THE PRODUCT TEMPERATURE OF SELECTED STARCH CROPS

***F. T. FAYOSE AND Z. HUAN**

Department of Mechanical Engineering, Tshwane University of Technology, Pretoria,
South Africa

*Corresponding author: fayosasayo@yahoo.com ;Tel: +27845192722-SA

ABSTRACT

Product temperature is a very important system parameter as well as an indicator of extrusion process. In this study, the product temperature response of a single screw extruder developed locally was investigated for the extrusion process of the flour and starch of maize and cassava which are grown in Nigeria in large quantity but with high post-harvest losses. These were compared with wheat flour which is commonly used for the production of alimentary pastes. A factorial experiment in completely randomized design was employed to study the effect of extrusion variables: feed moisture (30, 40, 50 %), extruder temperature (40, 70, 100°C) built up by varying the duration of sampling and screw speed (100, 150, 200 rpm) on Product temperature. A maximum temperature of 150°C was attained in 30 minutes through viscous dissipation and up to a moisture loss of 55% w.b. Also, product temperature is strongly related to the starch type and the extrusion process parameters under study. Product temperature decreased with increasing moisture content. The highest values of product temperature were demonstrated by maize starch and cassava flour extrudates while the lowest values were observed on maize flour and wheat flour extrudates. Generally, it was easier for cassava to cook/gelatinize under the heat provided by the extruder. Maize starch requires more shear/cooking to form than cassava starch. This extruder is by far more cost efficient for cassava than other products i.e. Maize and wheat. Process Parameters were expected to have effects on the product temperature of the final extrudates. Thus, model-fitting using response surface methodology was performed to examine their effect on product temperature. Quadratic coefficients fit the extrusion data very well, better than linear models. Furthermore, additional research could optimize product temperature for a specific product application. The equations relating the various dependent and independent variables were established to predict the performance of the machine.

Keywords: Extrusion variables, product temperature, cassava, starch, flour, maize, wheat, extrudates.

INTRODUCTION

Cassava (*Manihot esculenta*, Crant.) and maize (*Zea mays*) are important starch-rich crops grown in many parts of the world that contributes to economic development and food security, most especially in low income food

deficient countries because of their inherent characteristics. Cassava tolerates environmental stresses such as short periods of drought, strong and desiccating winds and low soil fertility (East Africa Agribusiness Magazine 2013). Its cultivation does not in-

involve complicated technology, high labour or other inputs. Maize, another popular staple food plays an important role in the diet of millions of people because of dry matter per hectare, its ease of cultivation, versatile food uses and storage characteristics (Mulegeta, 2011). These two crops top the list of the staple food in the diet of the people in Africa and records highest yields. However, a high percentage of the crop is lost because of inadequate alternative processing options. Wheat flour has been widely used in the extrusion industry and the effects of process variables on wheat extrudate properties have been studied (Guy, 2001). Meanwhile, it is obvious that cassava as a crop is not popular for the production of extruded foods.

Maize is one of the most common types of starch used for extrusion on which a lot of research work has been done but not in the developing nations where it is grown in large quantity. Extrusion is a food processing operation that can increase the usefulness of starchy crops by producing a range of products with different shapes, nutrients, texture, colours, sizes, flavour etc, thereby increasing the varieties of food products in the diet.

Product temperature is one of the dynamically controlled variables usually taken to reflect and predict product quantity in the food extrusion and it is well related to the shear force and specific mechanical energy input of the extrusion system (Lin *et al.* 2008; Olkku 1980). As a system parameter it can be used to connect extrusion cooking conditions such as screw speed, moisture content, screw configuration etc. and product conversion (Water Absorption index, Water Solubility Index) and thus to optimize and scale up the process appropriately (Bouvier, 2001). Also, many product prop-

erties including porosity, expansion, density depends on product temperature (Thymi *et al* 2005; Zweytick, 2008).

It is necessary to determine product temperature in preliminary studies of extruders so as to understand and know the temperature profile under any condition and to be able to control it effectively for any particular application. Also, long term trends such as wear can be more closely monitored by observing extruder temperature data, thus providing management data. The present study was undertaken to determine the effects of extrusion conditions (screw speed, moisture content of feed, and extrusion time and types of crop) on product temperature of a locally developed extruder.

MATERIALS AND METHODS

Sample preparation

Samples of flour and starch of the two crops under study were sourced and prepared from the same varieties grown under the same cultivation practices to give room for basis of comparison of results. Cassava tubers (*Manihot esculenta Crantz*) TMS 30572, were sourced from experimental plots at the Federal College of Agriculture, Akure and processed into flour and starch respectively according to International Starch Institute standards(2005). The materials were passed through a 300um sieve separately and the proximate analysis and moisture contents of samples were determined as described by AOAC (1995) approved method. White maize, EV8363-SR QPM (breeder seed) was sourced from the International Institute of Tropical Agriculture (IITA), Ibadan and processed into flour and starch respectively as described by Akanbi *et al* (2003). Hard durum wheat flour (*Triticum aestivum*) was purchased from Akure main market.

Extrusion

The extruder used in this study is a dry type made up of three (3) main units namely the feeding unit, the compression and melting unit and the die unit all fabricated using locally available materials. The extruder was developed as a test rig at the Agricultural Engineering Department, Federal University of Technology, Akure, Nigeria. A detailed report of the Extruder is contained in Fayose (2009) and Fayose *et al.* (2009). The feeding unit and the compression/melting unit are operated by one electric motor through a gear reducer and belt and pulley transmission system. As a test rig, allowance was given for varying the screw configuration, feed rate, screw speed, die configuration and nozzle. Speed regulation was done by varying the pulley ratios. All parts through which the feed material will pass

were made of stainless steel to prevent food contamination and to withstand frictional wear. Figure 1 shows the isometric view of the extruder.

The screw is of single flight, increasing diameter and tapering/decreasing pitch with a compression ratio of 4.5:1. The diameter of the final portion of the screw is reduced to a cone. This aid in pressure built up, easy conveyance of materials through the die and in reducing wear rate. The length to diameter ratio is 12:1. An electric motor drives the screw through a gear reducer, and the backward thrust of the screw is absorbed by a thrust bearing. The barrel and the screw/die configuration is typical of alimentary food production equipment. The extrudates were extruded as ribbons and later cut into sizes manually.

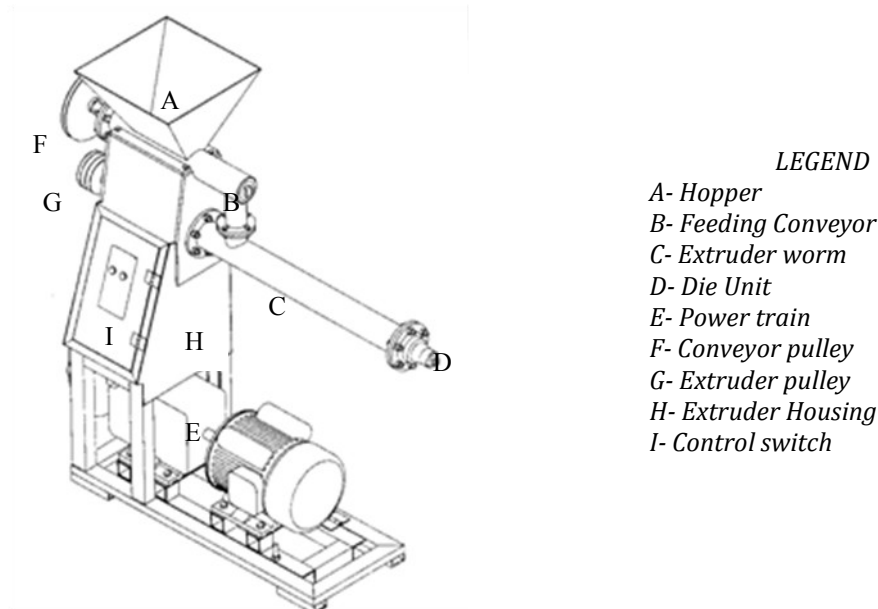


Figure 1: Isometric views of the extruder

Experimental Procedure

Samples were fed into the extruder at a feed rate 10 kg/h. The feeding section of the extruder was maintained at room temperature. The extruder was operated for 30 minutes for each set of condition. Steady state extrusion conditions is assumed to have been reached where there is no visible drifts in products temperature and torques required to turn the screw and by a steady extrusion rate. Temperature, both of the barrel and product were varied by continuous running of the machine, thereby building up the temperature. A major reason why heat is better generated through viscous dissipation than that added or removed through the barrel walls is that heat generated by drive unit (through viscous dissipation) is more dominant and cost efficient (Liang *et al.*, 2002). Since barrel temperature varies with duration of operation, duration of operation was observed as an independent variable. Temperature was controlled by removing and dipping the barrel and screw in a bath of cold water each time the extruder is to be fed with samples.

Statistical Analysis

This experiment was conducted using a factorial design comprising of five levels of product classification, three levels of initial moisture content, three levels of screw speed and five levels of duration of operation of machine. The four independent variable levels were pre-selected based on the results of preliminary tests. Each treatment was replicated thrice. One way ANOVA, least significant follow up tests, and step-wise multiple regression analysis were carried out using Statistical Package for Social Scientists (SPSS 13.0) software while re-

sponse surface regression was carried with response surface regression procedure of Statistical Analysis System (SAS) software v.9.R₁ (2003). Matlab (2009b) was used for plotting graphs.

Data collection and analysis

Official methods of the Association of official Analytical chemists (1995) were used for determining the moisture, ash, protein, fat and crude fibre contents of the samples. The carbohydrate content was determined by difference. Moisture contents of native starch samples and their extrudates were determined on a dry basis by an oven method using the AOAC (1995) method. Barrel and product temperatures were determined as described by Chessari and Sellahewa (2001) with K type copper- constantan thermocouple inserted into the barrel immediately before entry of the mass into the die and with Portec CAI 001 thermometer probe (Portec instrumental, Milton Keynes, UK) inserted into the melt immediately before passage of the mass out of the die. The result was read from a read out digital meter.

RESULTS AND DISCUSSION

Proximate composition

The Proximate composition of all the materials under study is presented in Table 1. This result shows that the protein content of TMS 30572 variety of cassava is high when compared with other varieties used in previous studies e.g. Hashimoto & Grossmann (2003). This is because efforts to improve cassava have being focused on increasing yield, dry matter content, nutritional and protein content as a means to contribute to a sustainable and cost effective solution to malnutrition (Dixon *et al.*, 2007).

Table 1: Proximate compositions of samples

Mc	Mc	Protein	Fat	Ash	Fibre	Carbohydrate
cs	1.47	0.31	1.50	0.20	0.12	96.40
cf	1.90	7.36	1.4	1.62	0.24	87.48
ms	2.45	0.86	2.32	0.40	0.15	93.82
mf	1.30	3.95	2.43	0.80	0.36	91.16
wf	9.65	13.20	1.50	0.45	2.17	3.10

cs – Cassava starch, cf- Cassava flour, ms- Maize starch, mf- Maize flour, wf- Wheat flour

Effect of Duration of Operation Variation on Product Temperature

The effect of the variation of duration of operation on product temperature at 30% moisture content and 30 rpm screw speed for all products is shown in Figure 2. The graph shows that product temperature varies directly with duration of operation. Product temperature increased with increase in duration of operation. Highest

temperature was observed for maize starch (ms) while the minimum temperature was that of maize flour (mf). A maximum temperature of 150°C was attained in 30 minute through viscous dissipation at 150 rpm and 30% moisture content. Steady state condition was attained within 15 minutes for samples 30% moisture content while it took longer time for samples with 25% and 30% moisture contents.

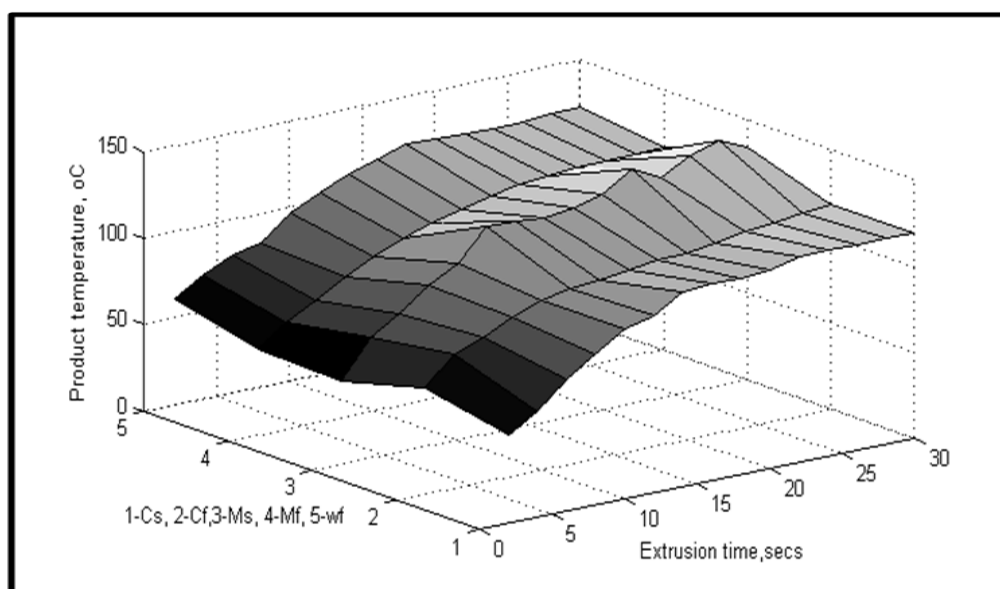


Figure 2: Variation of product temperature of products with duration of operation at 100 rpm screw speed and 30% initial moisture content.

Effect of Initial Moisture Content Variation on Product Temperature

The effect of the initial moisture content of products on the product temperature at 30 rpm and 30 minutes duration of operation is shown in figure 3. The graph shows that product temperature varied in a polynomial trend with moisture content for cassava starch and wheat flour. Product temperature was higher at 30% and 35% than at 25% and 40% moisture content. However, for cassava flour (cf) the product temperature decreased with increase in moisture content from 25 to 40%. The difference observed between cassava starch and cassava flour product temperature might be due to the differences in their carbohydrate and protein contents. For example, the increased protein content of cassava flour

when compared to that of cassava starch as shown in Table 1 might be responsible for the difference in their product temperature. This is because increase in protein content can lead to increase in heat capacity and invariably product temperature increase during extrusion. (Prabhu and Sharp, 2005). Also, mass temperature and mass pressure in the extruder depends on the raw material properties including protein level (Zweytick, 2008). However for maize flour, feed moisture $\leq 30\%$ blocked the rotation of the screw and there was no transition from the original floury nature to a melted state typical of most extrusion processing. Therefore its product temperature was not affected. However, its performance improved at 35% - 50 % moisture contents.

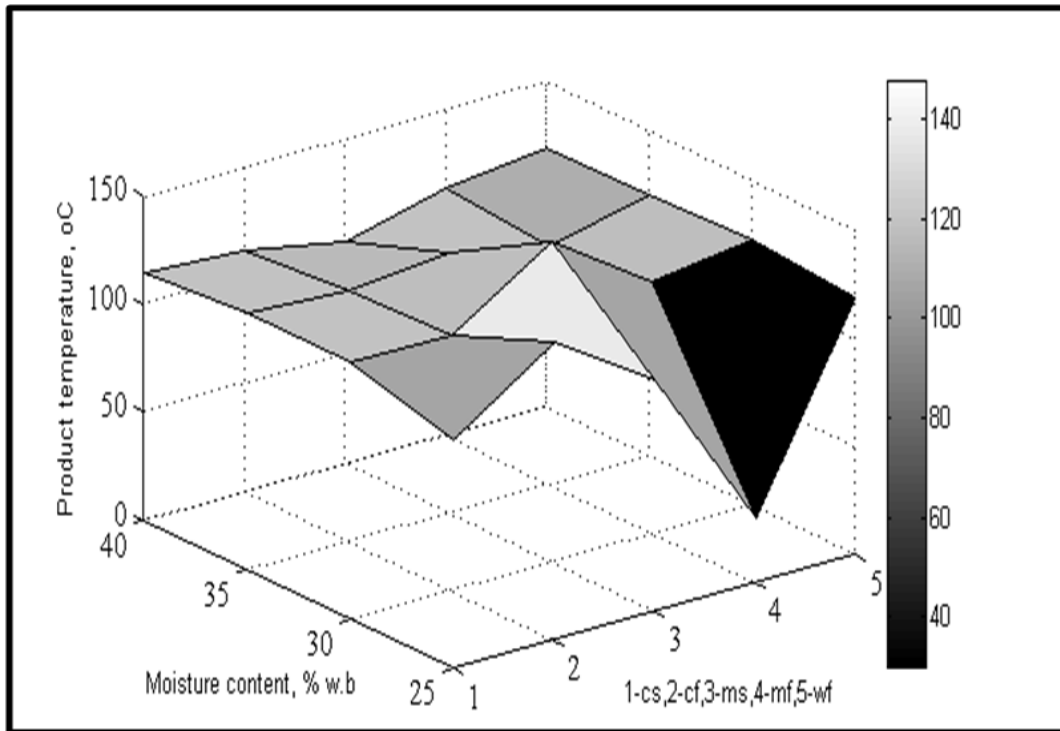


Figure 3: Variation of product temperature of products with initial moisture content at 30% duration of operation and 100 rpm screw speed.

Effect of Extruder Screw Speed Variation on Product Temperature

From Figure 4, product temperature increased from 50 rpm to 150 rpm and then decreased at 200 rpm. Extruder's performance improved from 100 to 150 rpm but at 200 rpm there was a change over in the performance of the extruder. The reduction in

temperature is due to the decrease of mean residence time due to increase in screw speed. The shorter the time the feed material stays in the extruder, the less energy it receives from the process at constant feed rate. This was what brought about Specific feeding load (SFL) in previous studies (Frame, 2004; Lo *et al.*, 1998).

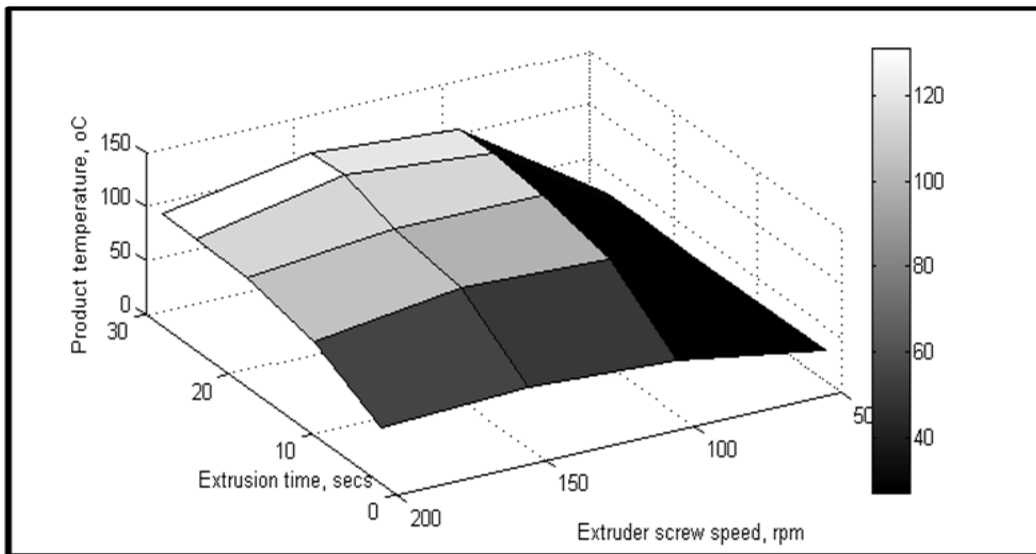


Figure 4: Variation of product temperature with extruder screw speed and initial moisture content at 30% duration of operation

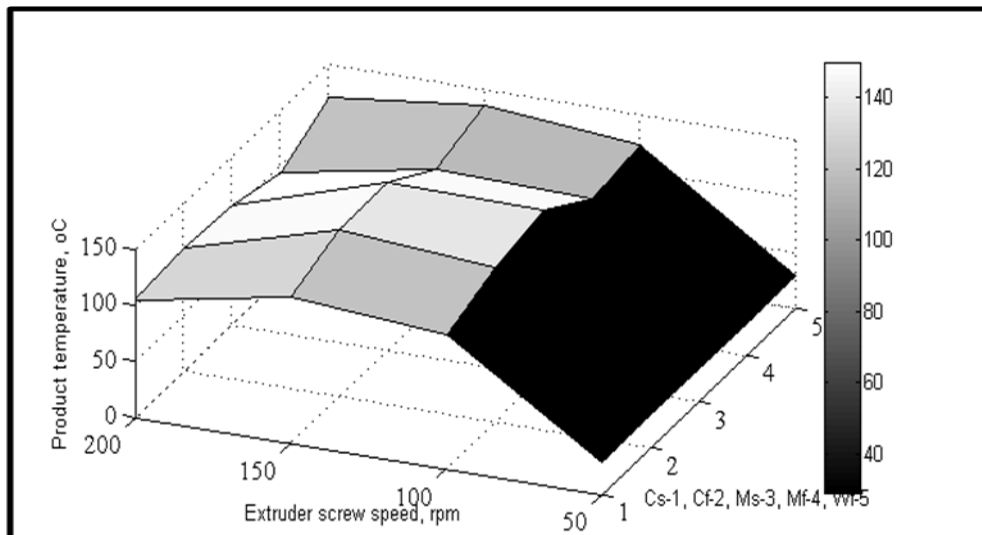


Figure 5: Variation of product temperature of products with extruder screw speed and initial moisture content at 30% duration of operation

Statistical Analysis

The result of the showing the order of importance of variables is presented in Table 2. The interaction term improved the model. Duration of sampling has the highest contribution, 62.8%, to R² of Product temperature. The interaction term of screw speed and moisture content (sm) improved the model R² by 2.5%, The Variance Inflation Factor (VIF) value for all parameter estimates were 1.0. Therefore, it can be concluded that multi-collinearity is not a problem in this case. For corn meal, dough temperature studied at various extrusion conditions (Chang and Halek, 1991) increased with increased barrel wall temperature zone 5, the most important factor that accounted for nearly 0.96 of the total R². Food moisture or screw speed showed a slight effect. Also, food moisture and screw speed did not represent high R² but are yet significant. It was speculated that since increase in screw speed reduced residence time, degree of fill and filled length, increases in viscous heating would be balanced by reduced barrel heat transfer. This was confirmed by the fact that dough temperature for screw speed 200 rpm only differed from that for 100 rpm slightly. For wheat starch, Van Zuilichem and Stolp (1987) reported a similar case that a temperature of 95°C was at-

tained in 44 minutes with an extruder of the following configuration: screw L/D: 1/12, compression ratio: 2.94 screw speed: 100 rpm and moisture content: 15.9 - 16.7%. The viscosity attained to within the period was 18 x 10² BU. However when the time of operation was extended beyond one hour to one hundred and three minutes the temperature decreased. Also, a decrease in die diameter as well as in the moisture content led to an increase in Product temperature for wheat starch (O' Connor, 1987).

The detailed statistical analysis using response surface methodology (RSM) generated the coefficients of the second order polynomials for product temperature as shown in Eqn. 1. The R² of the model is 0.86. Generally, there is an improvement in the R² of the response surface regression model than for the stepwise regression model (Table 2).

$$Y = 4.12X_2 + 14.80X_3 + 1.65X_4 + 11.56X_5 - 32.24X_1 + 0.84X_1^2 + 0.4X_{12} - 0.26X_{23} - 0.15X_{31} - 0.004X_3^2 - 0.007X_{42} - 0.001X_{41} - 0.0005X_{43} - 0.003X_{42}^2 \dots\dots\dots 1 - 0.12X_{52} - 0.062X_{51} - 0.006X_{53} - 0.0003X_{45} - 0.097X_5^2 - 469.72$$

Table 2: Stepwise Regression of Product temperature for all Product Classification

Models	Coefficients	T-test	Prob	Adjusted R2	F value	Prob	VIF
1	Bo	63.785	57.440	.000	.627	1158.038	.000 1.000
	Dt	2.081	34.030	.000			
2	Bo	73.537	41.755	.000	.652	643.770	.000 1.000
	Dt	2.082	35.214	.000			1.000
	sm	-.002	-6.986	.000			

The canonical analysis indicates that the predicted response surface is shaped like a saddle. The eigenvalue of 44.22 (Table 3) shows that the valley orientation of the saddle is less curved than the hill orientation, with eigenvalue of 0.97. The coefficients of the associated eigenvectors show that the value is more aligned with product temperature and the hill with duration. The estimated surface does not have a unique opti-

mum. However, the ridge analysis indicates that maximum product temperature will result from high protein and starch content but with moderate, moisture content, screw speed and duration. If further experimentation is undertaken, it might be best to fix other processing factors at a moderate to high values and to concentration on the effect of duration.

Table 3: Summary Result for Estimated Ridge of Maximum Response for Variables

Eigenvectors	Proco	Staco	MC	Ss	Duration
44.224797	0.876340	0.371835	-0.288544	-0.017394	0.101029
0.956566	0.462017	-0.555760	0.690391	-0.031832	-0.004176
-9.951599	-0.123151	0.686213	0.630984	-0.038661	-0.338098
13.105080	0.023513	0.006089	0.034911	0.998073	-0.045182
-21.032337	0.053383	0.286257	0.201850	0.032243	0.934571

Both Linear and Quadratic models fit the data very well. Product temperature is negatively related ($p \leq 0.001$) to the linear effect of protein content and cross product effects of moisture content and starch content which indicates that an increase in these variables decrease the temperature values. Also, the analysis of variance showed that the effect of all input variables (Protein con-

tent, starch content, moisture content, screw speed and duration of operation of samples were highly significantly different on product temperature. The result of one way analysis of variance (Table 4) for maize starch shows that product temperature is significantly different at 95% confidence interval for 100 and 150 rpm but not at 200 rpm.

Table 4: Least Significant Means of Products for Product Temperature

SS	MC	GRP	PRODUCTS				
			cs	cf	ms	mf	wf
150	1	2	-10.6	15.6*	-17.933*	-7.333 NS	-10.533
		3	8.067	25.533**	3.667*	4.600 NS	-5.467
	2	1	10.6	-15.6*	17.933	7.333 NS	10.533
		3	18.667*	9.933	21.6*	11.933*	5.067
	3	1	-11.133	-25.533**	-3.667	-4.600 NS	5.467
		2	-4.533	-9.933	-21.6*	-11.933*	-5.067
100	1	2	11.133	13.467	-27.533*	-14.667*	-13.533*
		3	-4.533	35.933**	-12.6	-5.000 NS	0
	2	1	11.133	-13.467	27.533*	14.667*	13.533*
		3	6.6	22.467	14.933	9.667 NS	13.533*
	3	1	4.533	-35.933**	12.6	5.000 NS	0
		2	-6.6	-22.467**	-14.933	-9.667 NS	-13.533*
200	1	2	0.667	10.733	-9.867	-11.800*	-18.067**
		3	2.133	17.533*	-4.4	-6.000 NS	-2.267
	2	1	-0.667	-10.733	9.867	11.800*	18.067**
		3	1.467	6.8	5.467	5.800 NS	15.8*
	3	1	-2.133	-17.533**	4.4	6.000 NS	2.267
		2	-1.467	-6.8	-5.467	-5.800 NS	-15.8*

Significant at * $P \leq 0.05$; ** $P \leq 0.01$, pc - protein content, sc - starch content, Mc - Moisture content, Ss - screw speed Dt - duration of operation, PT Product temp (0C). GRP - group, cs - Cassava starch, cf- Cassava flour, ms- Maize starch, mf- Maize flour, wf- Wheat flour (-ve means negative but sig effect)

CONCLUSIONS

The product temperature response of a locally developed single screw extruder has being well characterized. Product temperature response of maize and wheat were less sensitive to changes in extrusion variables than cassava. Generally, the study revealed that it is better to fix the extrusion variables

at a moderate to high values to enhance product temperature. Both linear and quadratic coefficients fit the data very well. However, the quadratic fits generated by the response surface regression analysis have better fit than the linear one by stepwise regression analysis. Directions on further experimentation for optimization were suggested

REFERENCES

- Adetunji, M.O.** 2004. Post Harvest Technology as a Panacea to Food Security and Economic Development. An Address at the National Workshop on Post Harvest Technology as a Panacea To Food Security and Economic Development South West Zone 5th-7th April 2004.
- Akanbi, C. T., Ade-Omowaye, B. I., Ojo, A., and Adeyemi, I. A.** 2003. Effect of Processing Factors on Rheological Properties of Ogi. *Intl. J. of Food Properties*, 6(3): 405–418.
- AOAC** 1995. Official Methods of Analysis of the Association of Official Analytical Chemists, Washington D. C. pp.710.
- Balogun, S.A.** 2000. Root and Tuber Crops: The OGADEP Experience on Cassava. A presentation at the inauguration of the State Agro-Processing and Marketing Expansion Group, Federal Agro Processing and Marketing Expansion Group, Federal Dept. of Agriculture, Abuja.
- Bouvier, J.M.** 2001. Breakfast cereals In Guy, R 2001. (Ed) Extrusion Cooking Technologies and Applications. Wood head Publishing Limited and CRC press LLC, Cambridge, England.
- CBN** 2003. Central Bank of Nigeria Statistical Bulletins and Annual Report.
- Chang, K. C. and Halek, G. W.** 1991. Analysis of Shear and Thermal History during Co-rotating Twin-Screw Extrusion. *J. of Food Sci.* 56 (2): 518.
- Chessari, C.J. and Sellahewa, J.N.** 2001. Effective Process Control in Guy, R 2001. (Ed) Extrusion Cooking Technologies and Applications. Wood head publishing limited and CRC press LLC, Cambridge, England.
- Dixon, A.G.O; Ssemakula, G; Maziya-Dixon, B; Caballos, H. and Fregene, M.** 2007. Genetic Enhancement of Protein Content in Cassava Storage Roots. Cassava Utilization Programme, IITA. www.iita.org.
- East Africa Agribusiness Magazine** 2013. You can become a millionaire from cassava farming October, 2013 Edition retrieved at <http://ea-agribusiness.co.ug/morbi-in-sem-quis-dui-placerat> on 14/10/2013
- Fayose, F.T.** 2009. Development and performance evaluation of a single- screw starch extruder. P.hD. Thesis, Federal University of Technology, Akure.
- Fayose, F.T; Ogunlowo, A.S., Agbetoye, L.A.S.** 2009. The Development and Preliminary Testing of an Indigenous Food Extruder. Proceeding of 3rd WASAE Conference, Ile Ife, 2009. P. 61.
- Frame, N. D.** 1994. The Technology of Extrusion Cooking. Blackie Academic and Professional, New York.
- Hashimoto, J. M. & Grossmann, M. V. E.** 2003. Effects of extrusion conditions on quality of cassava bran/cassava starch extrudates, *International Journal of Food Science and Technology* 38, 511–517
- International Starch** 2005. Memorandum on Tapioca (Cassava) Starch, International Starch Institute, Science Park Aarhus, Denmark.
- Lam, C. D., Flores, R. A.** 2003. Effect of Particle Size and Moisture Content on Viscosity of Fish Feed. *Cereal Chem.* 80 (1) 20-

24.

Liang, M; H.E. Huff, and Hsieh, F. H. 2002. Evaluating Energy Consumption and Efficiency of a Twin – Screw Extruder. *J. of Food Sci.* 67 (5) 1803-1807.

Lin, S.; H.E. Huff, Hsieh, F. 2008. Texture and Chemical Characteristics of Soy Protein Meat Analog Extruded at High Moisture, *Journal of Food Science, Volume 65, Issue 2*, Article first published online: 28 June 2008.

Lo, T. E., Moreira, R. G., Castell – Perez, M. E. 1998. Modeling Product Quality during Twins – Screw Food Extrusion. *Trans. of the ASAE* 41(6) 1729 – 1738.

Mottaz, J., Bruyas, L., Cleextral, F. 2001. Optimised Thermal Performance in Extrusion in Guy, R (2001) (Ed) *Extrusion Cooking Technologies and Applications*. Wood head Publishing Limited and CRC press LLC, Cambridge, England.

Mulegeta, 2011. Industrial Use of Maize Grains in Ethiopia In. eds. Worku, M., Twumasi Afriyie, S., Wolde, L., Tadesse, B., Demisie, G., Bogale, G., Wegary, D., Prasanna, B.M., Meeting the challenges of global climate change and food security through innovative maize research. Proceedings of the National Maize Workshop of Ethiopia, 3; Addis Ababa, Ethiopia; 18-20 April, 2011: 286-271

Prabhu, N. V., Sharp, K. A., 2005. Heat Capacity in Proteins, *Annual Rev. Phys. Chem.* 56: 521–548.

O’ Connor, O.C. 1987. *Extrusion Technology for the Food Industry*, Elsevier Applied Science Publishers, London.

Olkku, J., Hassinen, H., Antila, J, Pohjanpalo, H., Linko, P. 1980. Automation of HTST- Extrusion Cooker, Food Process Engineering Linko P, Malkki, and Olkku J. (1980) *Food processing systems*. Applied Science Publisher Ltd. England. 1, 777 – 790.

Thymi, S Krokida, MK Pappa, A and Maroulis ZB 2005. Structural properties of extruded corn starch, *Journal of Food Engineering*, 68, (4), 519–526

Worku, M., Twumasi Afriyie, S., Wolde, L., Tadesse, B., Demisie, G., Bogale, G., Wegary, D., Prasanna, B.M., 2011. Meeting the challenges of global climate change and food security through innovative maize research. Proceedings of the National Maize Workshop of Ethiopia, 3 Addis Ababa, Ethiopia; 18-20 April, 2011:286-271

Van Zuilichem D.J., Stolp, W. 1987. Survey of the Present Extrusion Cooking Techniques in the Food and Confectionery Industry, In: Connor, O.C. (1987). *Extrusion Technology for the Food Industry*, Elsevier Applied Science Publishers, London. P. 1

Zweytick G. 2008. Wheat Crisps - Extrusion Cooking Technology In: Margarida Vieira, Peter Ho Eds., *Experiments in Unit Operations and Processing of Foods* 5, 143-149; Springer, New York; ISBN 978-0-387-33513 -1.

(Manuscript received: 12th April, 2011; accepted: 11th November, 2013).